

### Features:

- ◇ Low-cost
- ◇ Ultra compact flat design
- ◇ Less than .25" deep
- ◇ 3½ digits with high-contrast LCD

### Specifications:

<b>Display:</b>	Digits:	3 ½ digits (±1999 counts)	
	Type:	0.5" (13mm) 7 segment reflective LCD	
	Digit Height:	.50" (12.7mm)	
	Polarity Indication:	automatic, "-" displayed	
	Annunciators:	"LoBat" when power <7.2 VDC	
	Decimal Points:	3 position, user selectable	
	Overrange:	three lower order digits blank for inputs >1999 & < -1999	
	<b>Inputs:</b>	Ranges:	±200.0mV, ±2.000V, ±20.00V DC
		Configuration:	true differential input and reference
		Protection:	250 VDC or 150 V RMS continuous, 300 V intermittent max
Impedance:		>100 MΩ on ± 200mV ; (>1 MΩ on 2V & 20V range)	
Bias Current:		1 pA typical, 10 pA max	
<b>Performance:</b>	Accuracy:	±(0.1% fs + 2 count) with +5 and ± 5 V power ±(0.1% rgd + 1 count) with 9 V power	
	Conversion Rate:	2.5 per second	
	Normal Mode Rejection:	>30 dB @ 60 Hz	
	Common Mode Range:	±1 VDC max	
	Common Mode Rej.:	>86 dB	
	Zero Adjustment:	automatic	
	Warmup:	10 min typical	
	Temperature Coefficient:	±100 ppm per °C typical	
	<b>Environment:</b>	Operating Range:	0 to 50 °C
		Storage Range:	-10 to 60 °C
Relative Humidity:		0 to 95% non-condensing	
<b>Power Supply:</b>	9V powered:	9 V isolated, 7.2-12 V at 150 μA	
	+5V DC:	5 V ±5% at 3 mA	
<b>Mounting:</b>		panel hole mounting, standard bezel mount (optional)	
	Dimensions:	2.37 x 1.50 x .32	
	Panel Cutout:	1.89 x .66	
	Weight:	0.9 oz (25 g)	
<b>Connection:</b>		13 pins, 0.025" square - pin 3 missing	
		15 solder pads	

### Ordering Information:

#### 15 pads

PART NUMBER	METER INPUT	METER POWER
DK171	200mV	9V
DK172	2V	9V
DK173	20V	9V

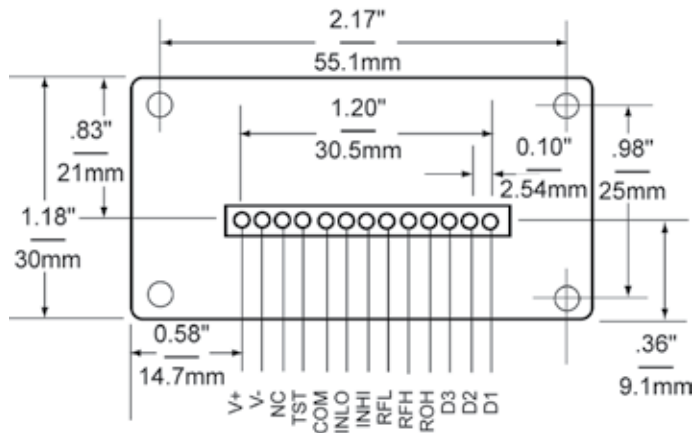
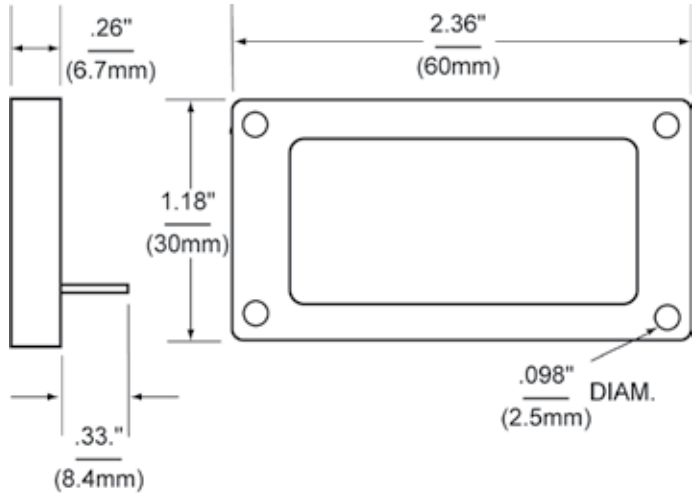
#### 13-pins

PART NUMBER	METER INPUT	METER POWER
DK174	200mV	9V
DK175	2V	9V
DK176	20V	9V
DK177	200mV	+5VDC
DK178	2V	+5VDC
DK179	20V	+5VDC

B-1B.....	Bezel Mounting Kit
J1C13.....	13 Pin Connector / Wire Assembly
PW2-5.....	Regulated 120V AC to 5V DC Power Supply
PW2-12.....	Regulated 120V AC to 12V DC Power Supply
PW1.0.....	24V AC to adjustable DC output
CPW1.5.....	24V AC to adjustable DC output
CVC.....	Calibrator

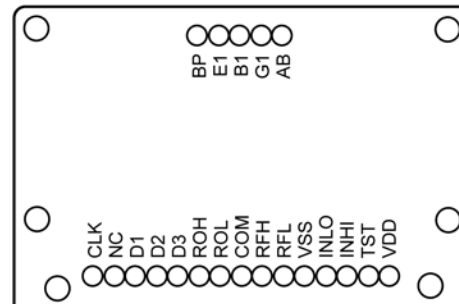
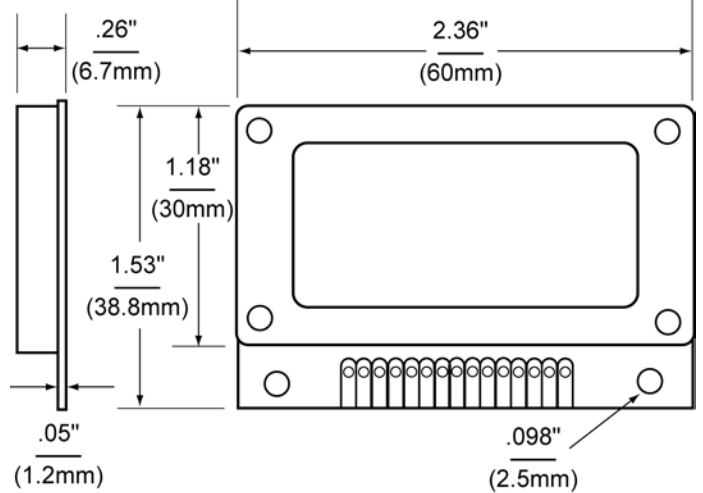
## Dimensions

### 13 PINS



NOTE: DO NOT SOLDER TO PINS

### 15 PADS



NOTE:  
DIM. = inches  
(2.5mm)

## BEZEL MOUNTING

