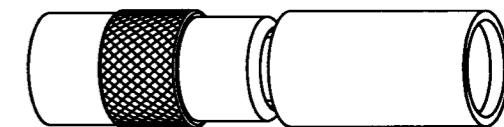


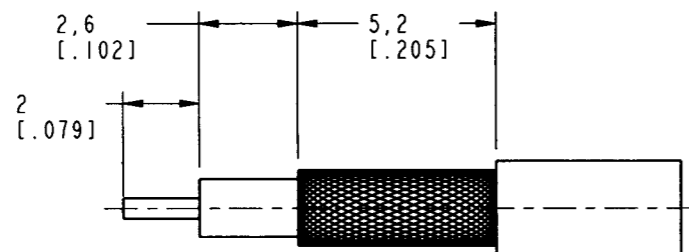
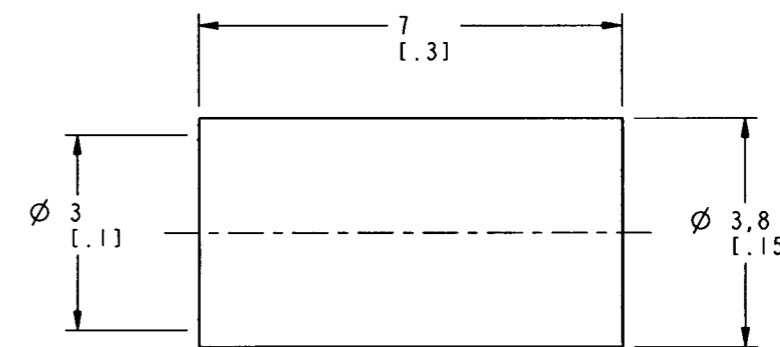
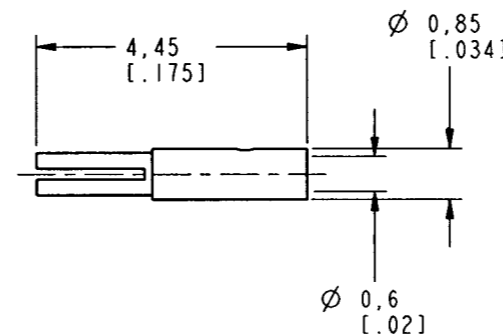
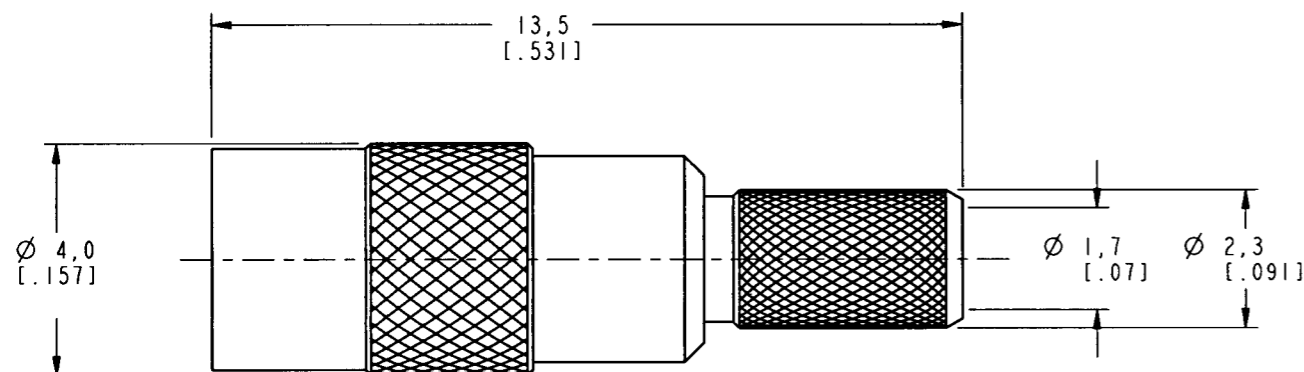
NOTES:

- MATERIALS OF CONSTRUCTION
 BODY & BARREL = BRASS, GOLD PLATED
 CONTACT PIN = BERYLLIUM COPPER, GOLD PLATED
 FERRULE = COPPER, GOLD PLATED
 INSULATOR = TEFLON, MIL-P-19468
- FOR ASSEMBLY INSTRUCTIONS SEE 349-50627 SHEET 3
 USE CRIMP TOOL 227-944 WITH DIE SET 227-1221-3 CAVITY A (.128 HEX)

908-42300-RFX		REVISIONS			
DRAWING NO.	REV	DESCRIPTION	DATE	ECO	APPR
THIRD ANGLE PROJ.	A	RELEASE TO MFG.	8/3/00	43466	CPM



SCALE 4.000



RECOMMENDED CABLE STRIPPING DIMENSIONS
SCALE 5.000

CUSTOMER OUTLINE DRAWING
FOR REFERENCE ONLY

UNLESS OTHERWISE SPECIFIED, DIMENSIONS ARE IN INCHES AND TOLERANCES ARE: 0.5 - 6mm ±0.2mm 6 - 30mm ±0.4mm 30 - 120mm ±0.6mm	MATERIAL	DRAWN C. McGRATH	DATE 01-Aug-00	TITLE MMCX STR CRIMP JACK (FOR RG-174/U, 188A/U 316/U CABLES)	Amphenol Amphenol Corporation Communication and Network Products Division Danbury, CT U.S.A. 06810
	REFERENCE GEN# ASSYF5_MMCX	ENGINEER P. BRENZEL	DATE 01-Aug-00	APPROVED 	
NOTICE - These drawings, specifications, or other data (1) are, and remain the property of Amphenol Corp. (2) must be returned upon request; and (3) are confidential and not to be disclosed to any person other than those to whom they are given by Amphenol Corp. The furnishing of these drawings, specifications, or other data by Amphenol Corp., or to any other person to anyone for any purpose is not to be regarded by implication or otherwise in any manner licensing, granting rights or permitting such holder or any other person to manufacture, use or sell any product, process or design, patented or otherwise, that may in any way be related to or disclosed by said drawings, specifications, or other data.	CAD FILE I:\MMCX\908-42300-RFX	CODE ID 74868	DWG SIZE B	DRAWING NO. 908-42300-RFX	SCALE: 8.0:1
					SHEET 2 OF 2