

THIS DRAWING IS UNPUBLISHED.

RELEASED FOR PUBLICATION

20

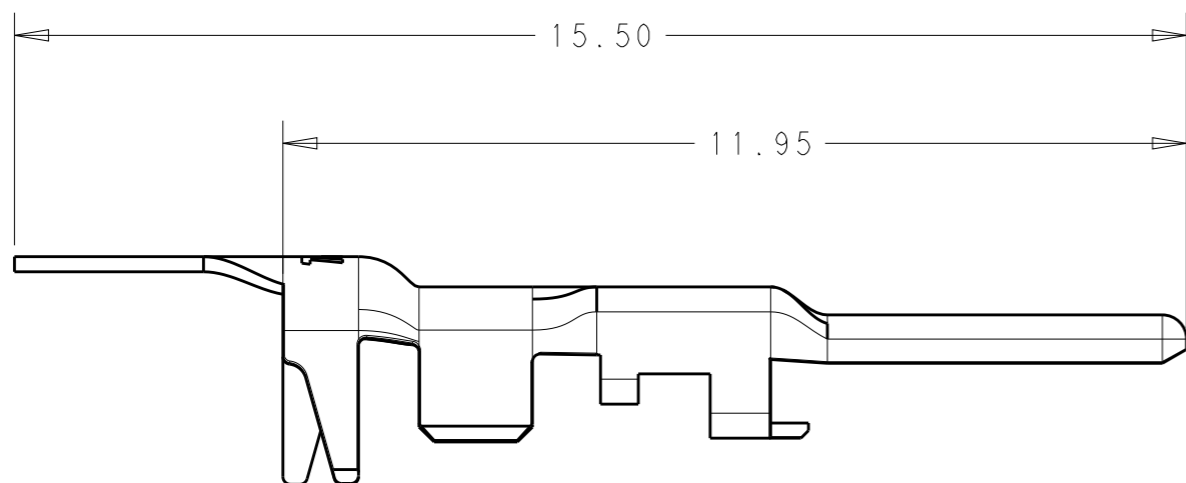
© COPYRIGHT 20

ALL RIGHTS RESERVED.

ES

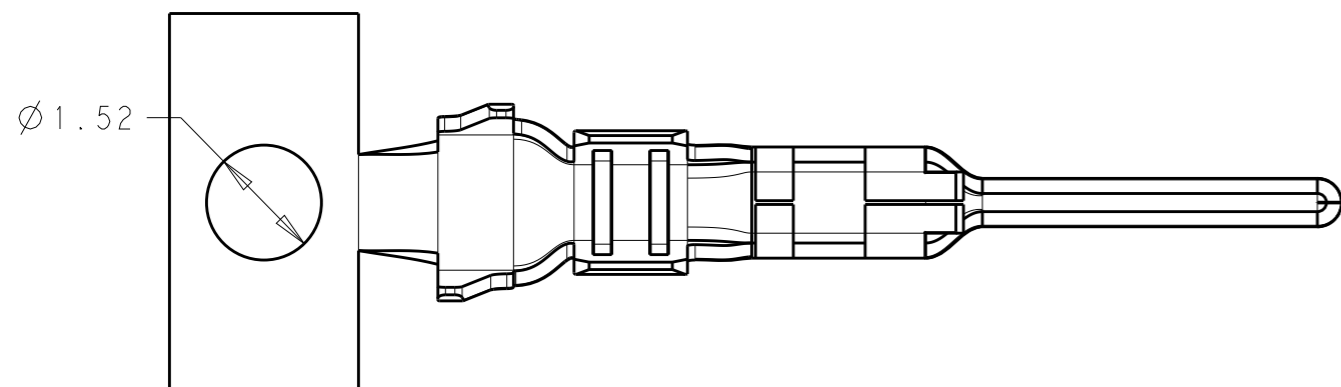
REVISIONS

P	LTR	DESCRIPTION	DATE	DWN	APVD
	A	INITIAL RELEASE	15JUL2016	W.Z	X.X



NOTES:

- ① MATERIAL: COPPER ALLOY
- ② FINISH: 2.0 MICRON MIN. TIN OVER NICKLE UNDERPLATED.
- ③ FINISH: GOLD FLASH PLATING ON CONTACT MATING AREA. TIN PLATING ON CRIMP AREA AND ALL NICKLE UNDERPLATED.
- 4. SEE TABLE FOR ALL THE PART NUMBERS.



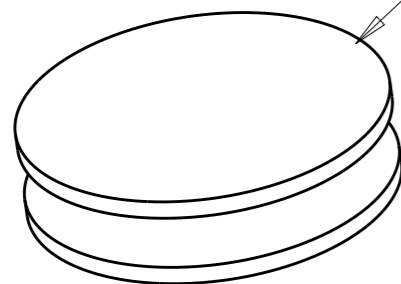
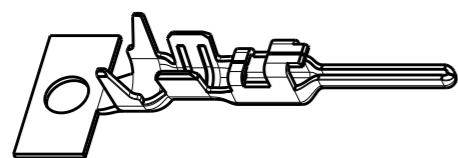
1000 PCS/REEL	③	1.60-2.0	18-22 AWG	2-2834068-3
10,000 PCS/REEL	③	1.60-2.0	18-22 AWG	1-2834068-3
1000 PCS/REEL	②	1.60-2.0	18-22 AWG	2-2834068-2
10,000 PCS/REEL	②	1.60-2.0	18-22 AWG	1-2834068-2
PACKAGE Q'TY	FINISH	INSULATION DIAMETER RANGE	WIRE RANGE	PART NO

THIS DRAWING IS A CONTROLLED DOCUMENT.		DWN	15JULY2016	TE Connectivity	
		CHK	15JULY2016		
		APVD	15JULY2016		
DIMENSIONS: mm		TOLERANCES UNLESS OTHERWISE SPECIFIED: ± 0.3		NAME	
		0-PLC \pm		PRODUCT SPEC	
		1-PLC \pm		108-137093	
		2-PLC \pm		APPLICATION SPEC	
		3-PLC \pm		114-137093	
4-PLC \pm		ANGLES $\pm 5^\circ$		SIZE	
MATERIAL		FINISH		CAGE CODE	
I		-		A300779	
		WEIGHT		DRAWING NO	
		-		C-2834068	
		CUSTOMER DRAWING		RESTRICTED TO	
				-	
		SCALE 10:1		SHEET 1 OF 2	
				REV A	

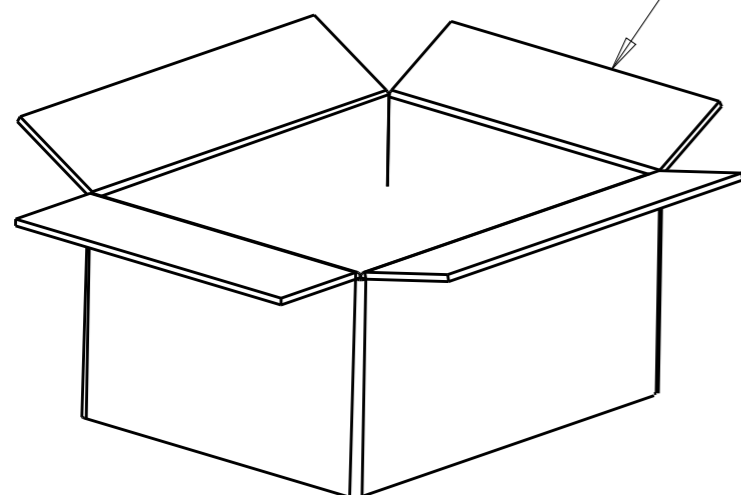
REVISIONS

P	LTR	DESCRIPTION	DATE	DWN	APVD
		SEE SHEET 1			

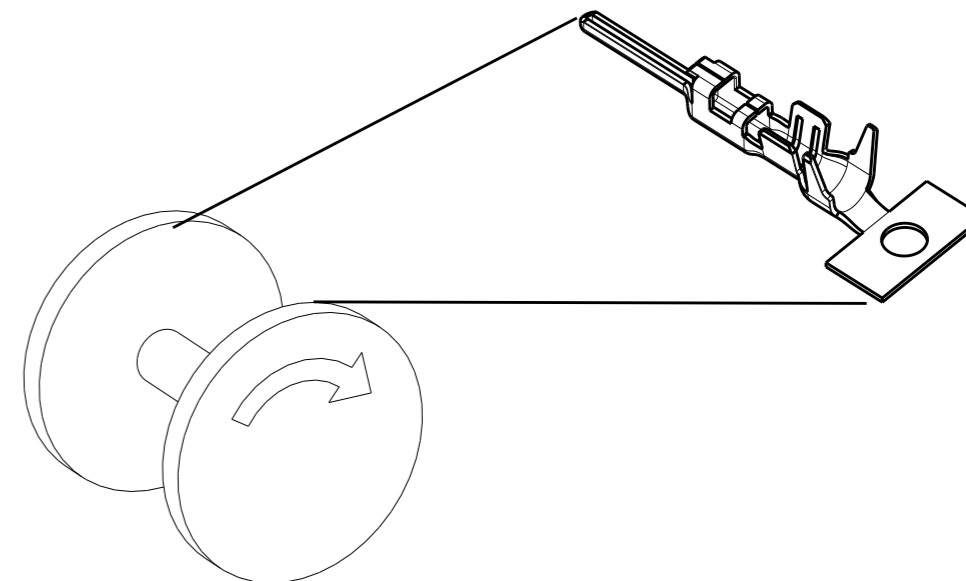
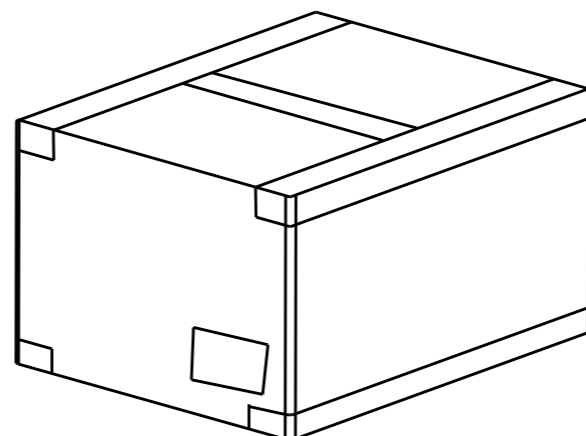
PACKAGE PART NUMBER LIST:
 1-2834068-2, 2-2834068-2, 1-2834068-3, 2-2834068-3,



REEL



CARTON



CONTACT WITH PLATING

NOTE:
 1. PUT PARTS IN THE REEL AS STAMPING&PLATING PROCESS.
 2. PUT PACKED REEL INTO CARTON.
 3. SEAL THE CARTON
 4. PACKAGING QUANTITY: SEE TABLE.
 5. PACKAGING SPEC : 107-137093.

PART NUMBER	PARTS PER REEL	REELS PER CARTON	PARTS PER CARTON
1-2834068-2	10,000 PCS	4	40,000 PCS
2-2834068-2	1000 PCS	3	3,000 PCS
1-2834068-3	10,000 PCS	4	40,000 PCS
2-2834068-3	1000 PCS	3	3,000 PCS

THIS DRAWING IS A CONTROLLED DOCUMENT.

DIMENSIONS: mm	TOLERANCES UNLESS OTHERWISE SPECIFIED: ± 0.3
	0-PLC ±
	1-PLC ±
	2-PLC ±
	3-PLC ±
	4-PLC ±
	ANGLES ± 5°
MATERIAL I	FINISH -

DWN ZHANG WEI 15 JULY 2016	 TE Connectivity NAME PIN CONTACT MINIATURE WATERPROOF CONNECTOR
CHK SHI MING 15 JULY 2016	
APVD XU XIANG 15 JULY 2016	
PRODUCT SPEC 108-137093	
APPLICATION SPEC 114-137093	SIZE A3
WEIGHT -	CAGE CODE 00779
CUSTOMER DRAWING	DRAWING NO C-2834068
	RESTRICTED TO -

SCALE 10:1		SHEET 2 OF 2		REV A
------------	--	--------------	--	-------